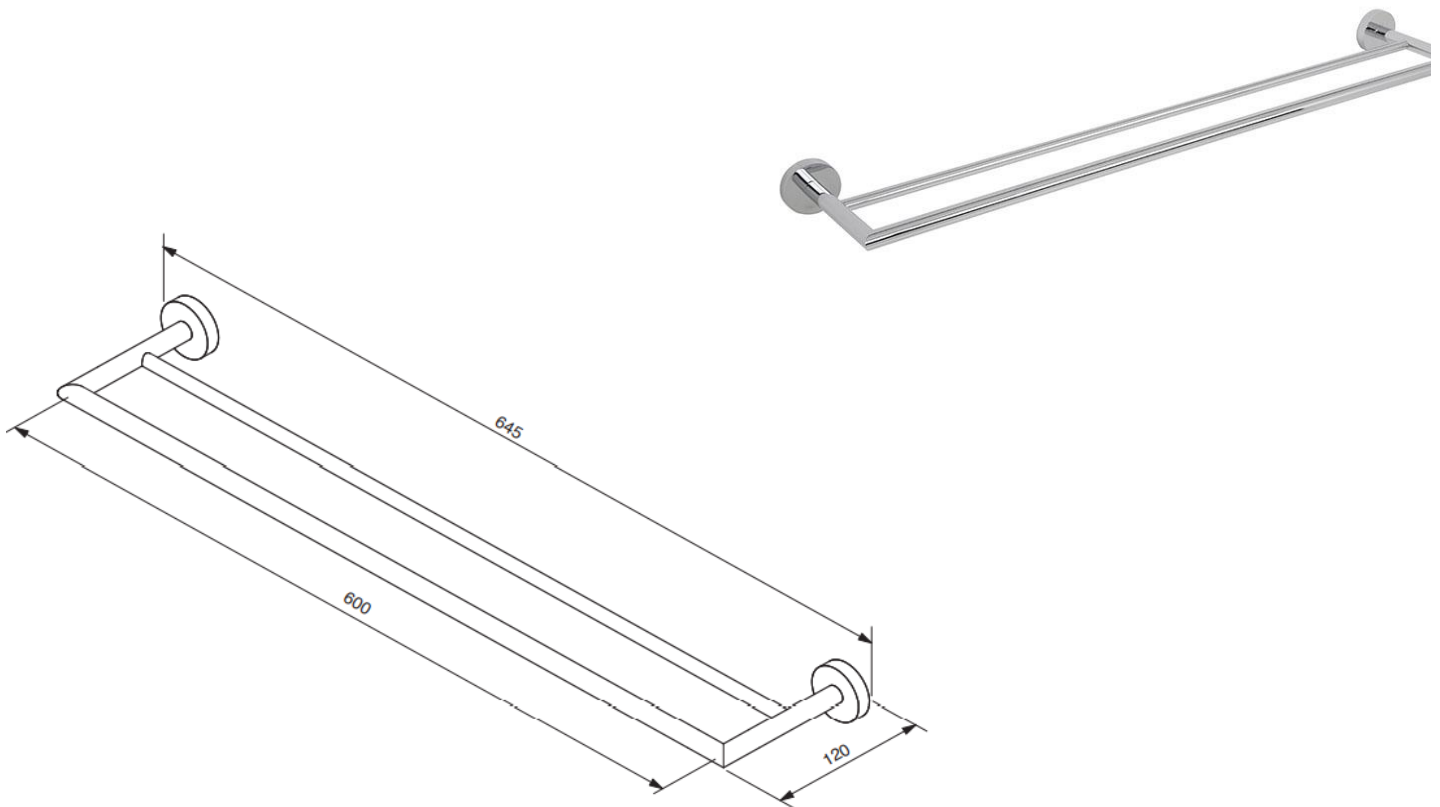


Plaza Double Towel Rail (600mm)

PL-5016

Finish: Chrome



The Plaza range of accessories is a modern, yet affordable minimalist design that combines dual point fixings with functionality making it an ideal solution for multi-residential projects. The fusion of round sections with the mitred ends forms a sophisticated collection of accessories that will complement any bathroom design.

WARRANTY
7 years

*Conditions apply

BEZZONI
BY BARBEN

www.barben.com.au | Ph: 07 3890 8558

Dimensions are in millimetres and are subject to manufacturing variations. Barben reserves the right to vary specifications at any time without notice. Please confirm all particulars with our sales consultants prior to purchasing the product.

Version:1 2020

A