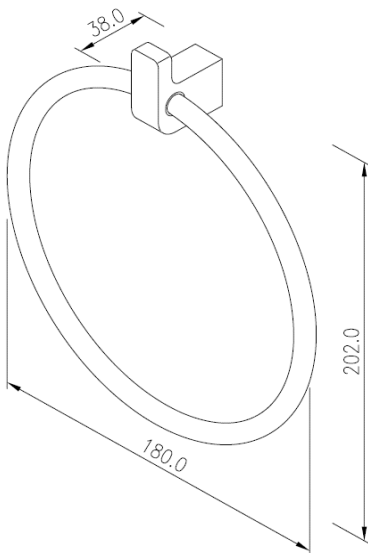


## Linea Hand Towel Holder

LI-103

Finish: Chrome



Just as the name suggests the Linea Collection is a beautiful flowing range of accessories that combine contemporary straight lines and form with gentle rolling curves making it the ideal selection for your next project. Dual point fixings ensure the accessories are well anchored to the fixing surface and with solid brass componentry the collection is robust and ideally suited to hotel environments.

**WARRANTY**  
**7 years**  
\*Conditions apply